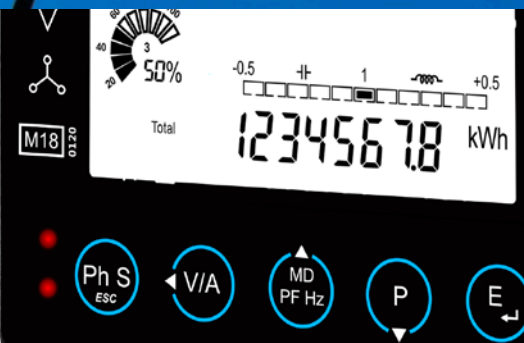


Innovation, Quality and Competitive edge

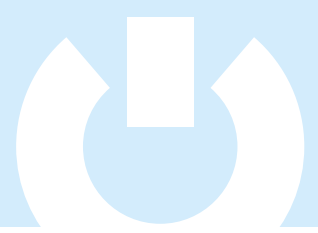


EasyClick

A fast, easy and reliable solution for installing power metering systems.



Designed and certified in the United Kingdom.



EasyClick is a proven solution for making the installation process of power metering systems reliable, fast and error free.



Engineered and designed around a “plug and play” concept, consisting of a full range in plug in RJ12 Three phase current transformers and DIN rail and panel mounted Panel meters. This replaces the need to hardwire 6 individual secondary cables from the current transformer to the power meter. We also use a plug-in terminal for the voltage references (L1, L2, L3 and N). This not only reduces installation time by up to 85%, but also removes any potential wiring errors. Making the overall installation faster and error free.

It is also possible to have up to 32 devices powered from one voltage reference fused supply, as the meters have a voltage output plug in terminal, allowing you to daisy chain from one meter

to the next. We provide a full range of Current transformer, Voltage in and Voltage out looms. If you prefer to manufacture you own voltage looms, then this is also possible as we supply the terminal kits free of Charge with each meter.

Due to the demand of most applications requiring the power meters to be read remotely using the RS485 modbus output, we also provide free commissioning and configuration software. This allows the modbus network to be checked prior to installation of the panel / switchboard. It also allows you to set the programmable parameters from one central point and read each meter individually.

We have a full range from 96x96mm Panel mounted, DIN rail mounting (Single Load, Dual Load, Tri-Load and Quad Load).

If you also require a full end to end solution, we have the Eastron ConneX sub metering system which is integrated with our data logging, remote monitoring and HMI platform.

For more information on these products, please contact our sales team on 0203 758 3494 or email sales@eastroneurope.com

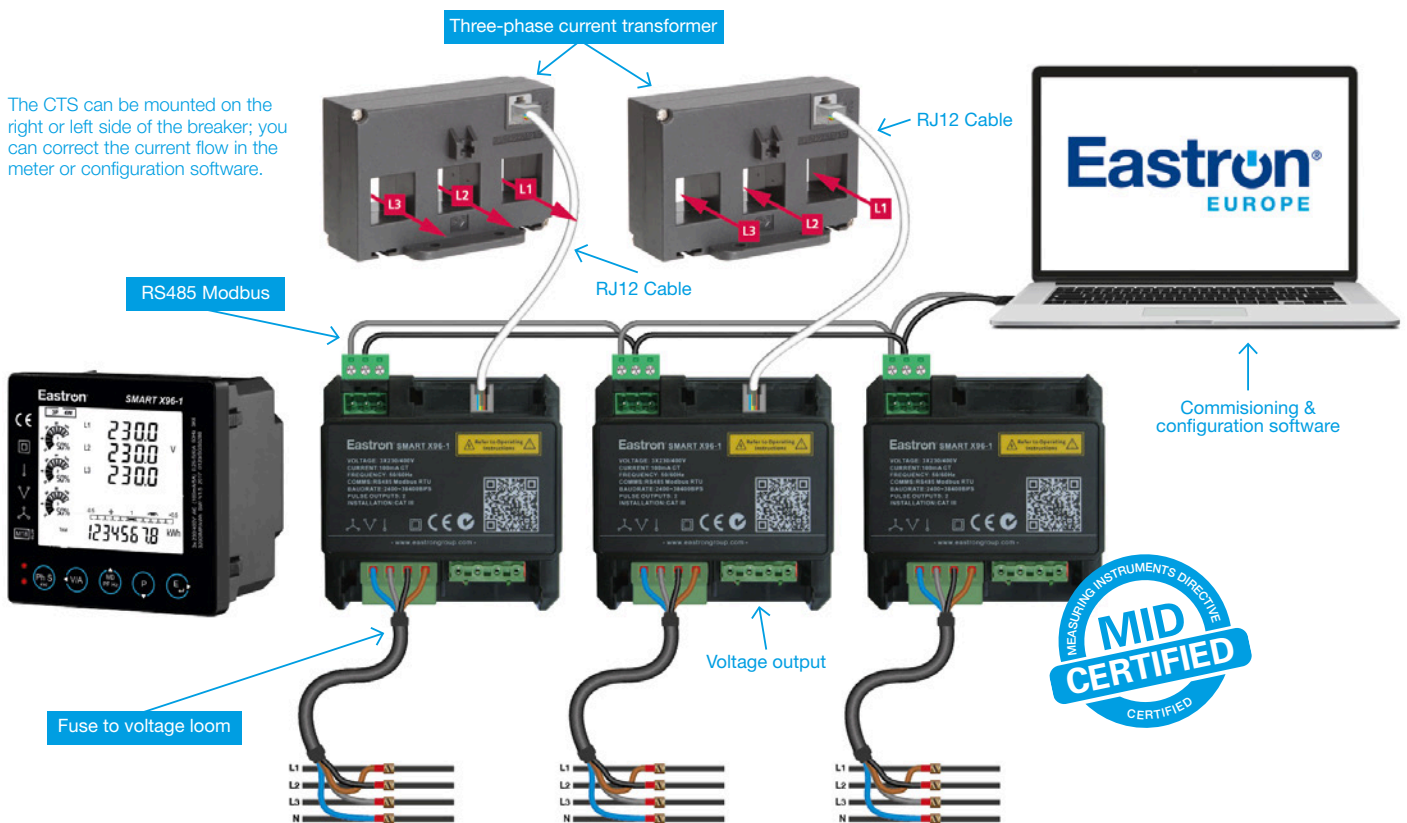
www.eastroneurope.com



- CE and MID Certified in the UK
- Overall System Accuracy Class B (1%)
- Phase sequence indication
- Programmable Pulsed output
- Built in RS485 RTU Modbus output
- individual phase summary display (Amps, Volts, Watts and kWh)
- Individual Harmonic Levels up to 61st Tested to 1% accuracy (SMART X96-1 only)
- Min and Max Voltage levels (SMART X96-1 Only)
- Lower specification option for further cost saving (SMART X96-1E)



Example of installation

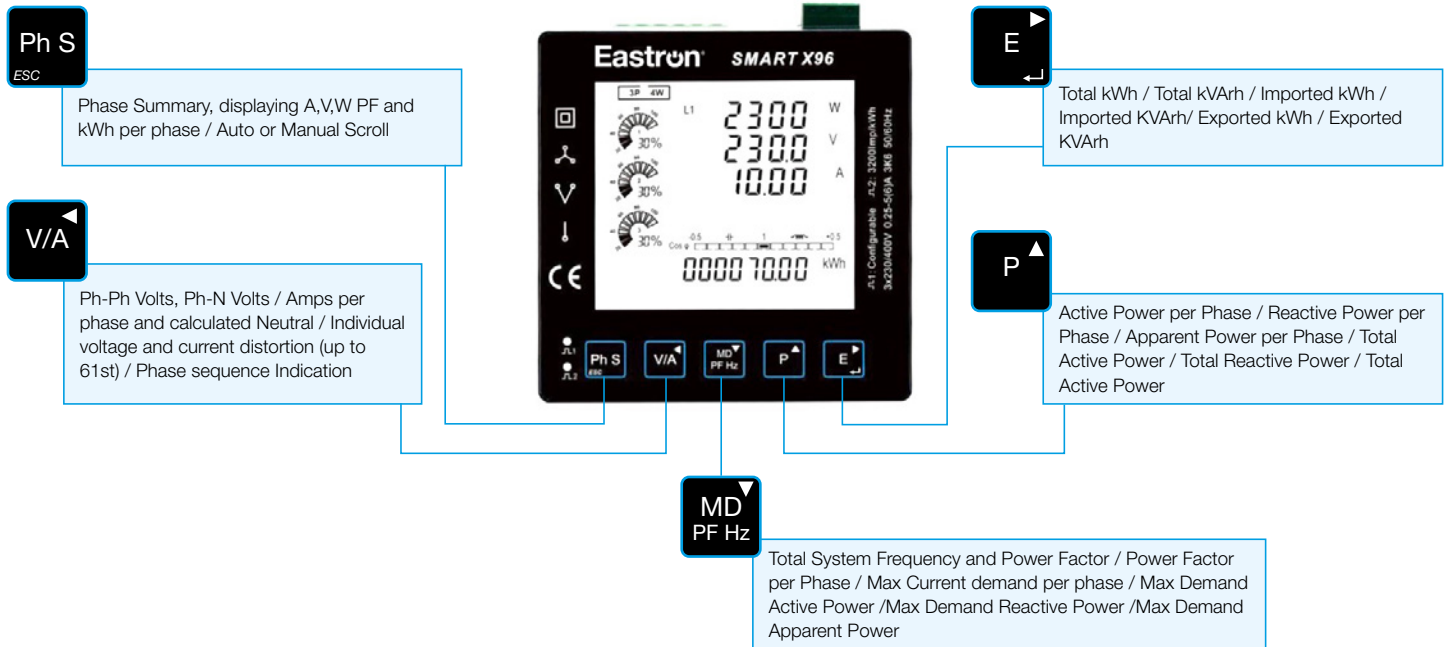


Meter Type	Description of Meter
SMART X96-1	Active Import/Export (kWh) 3x230/400V, 100mA/5(6)A, Transformer operated, Multifunction, RS485 Modbus RTU
SMART X96-1E	Active Import/Export (kWh) 3x230/400V, 100mA/5(6)A, Transformer operated, Multifunction, RS485 Modbus RTU, No THD, No Voltage Output and 1P2W and 3P4W only

For more information on these products, please contact our sales team on 0203 758 3494 or email sales@eastroneurope.com



Features



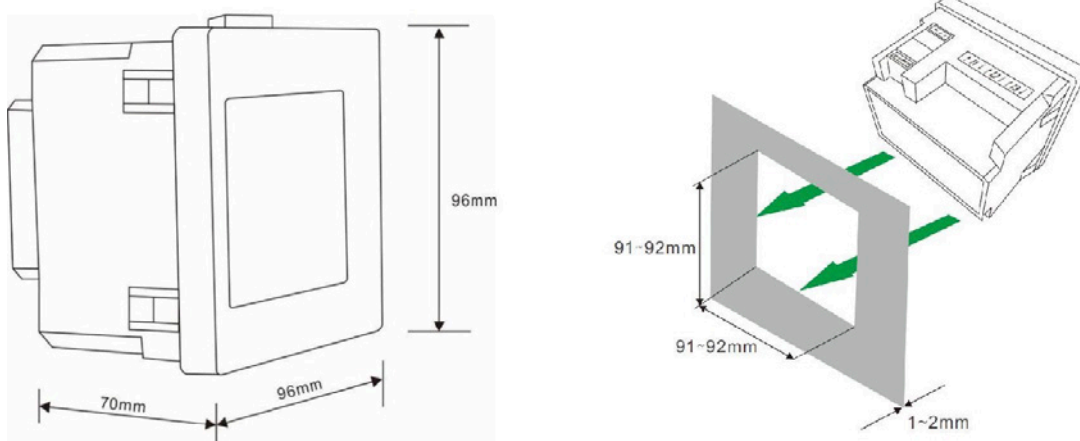
Conformity references:

Electromagnetic Compatibility: IEC/EN61326-1, IEC/EN55011 Class A, IEC/EN61000-4-2,-3-4-5-6-8-11 IEC/EN50470-1/3

Accuracy: IEC/EN50470-1/3, IEC/EN62053-21, IEC/EN62053-23, DIRECTIVE 2014/32/EU

Safety: EC/EN61010, IEC/EN50470-1

Dimension drawing



For more information on these products, please contact our sales team on 0203 758 3494 or email sales@eastroneurope.com

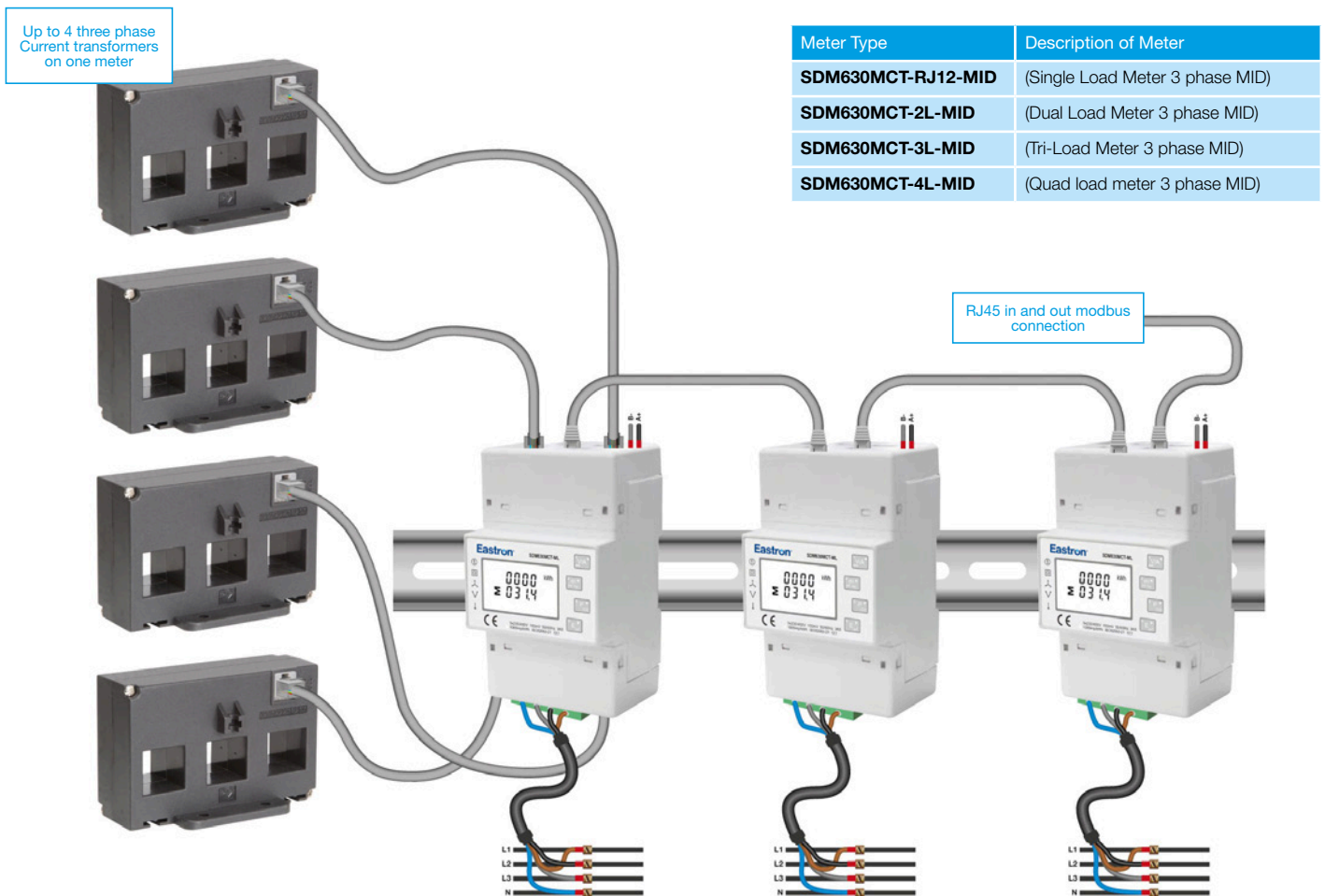
www.eastroneurope.com



- CE and MID Certified in the UK (SGS 0534)
- Overall System Accuracy Class B (1%)
- Phase sequence indication
- Built in RS485 RTU Modbus output
- Total Harmonic Distortion up to 31st Level
- Single Load option 3 phase 4 wire or 3 x 1 phase circuits (SDM630MCT-RJ12)
- Dual load option 2 x 3 phase 4 wire or 6 x 1 phase circuits (SDM630MCT-2L)
- Tri load option 3 x 3 phase 4 wire or 9 x 1 phase circuits (SDM630MCT-3L)
- Quad load option 4 x 3 phase 4 wire or 12 x 1 phase circuits (SDM630MCT-4L)
- Up to 124 x 3 phase 4 wire channels or 372 x 1 phase channels on one Modbus network (32 SDM630MCT)



Example of 3 phase installation



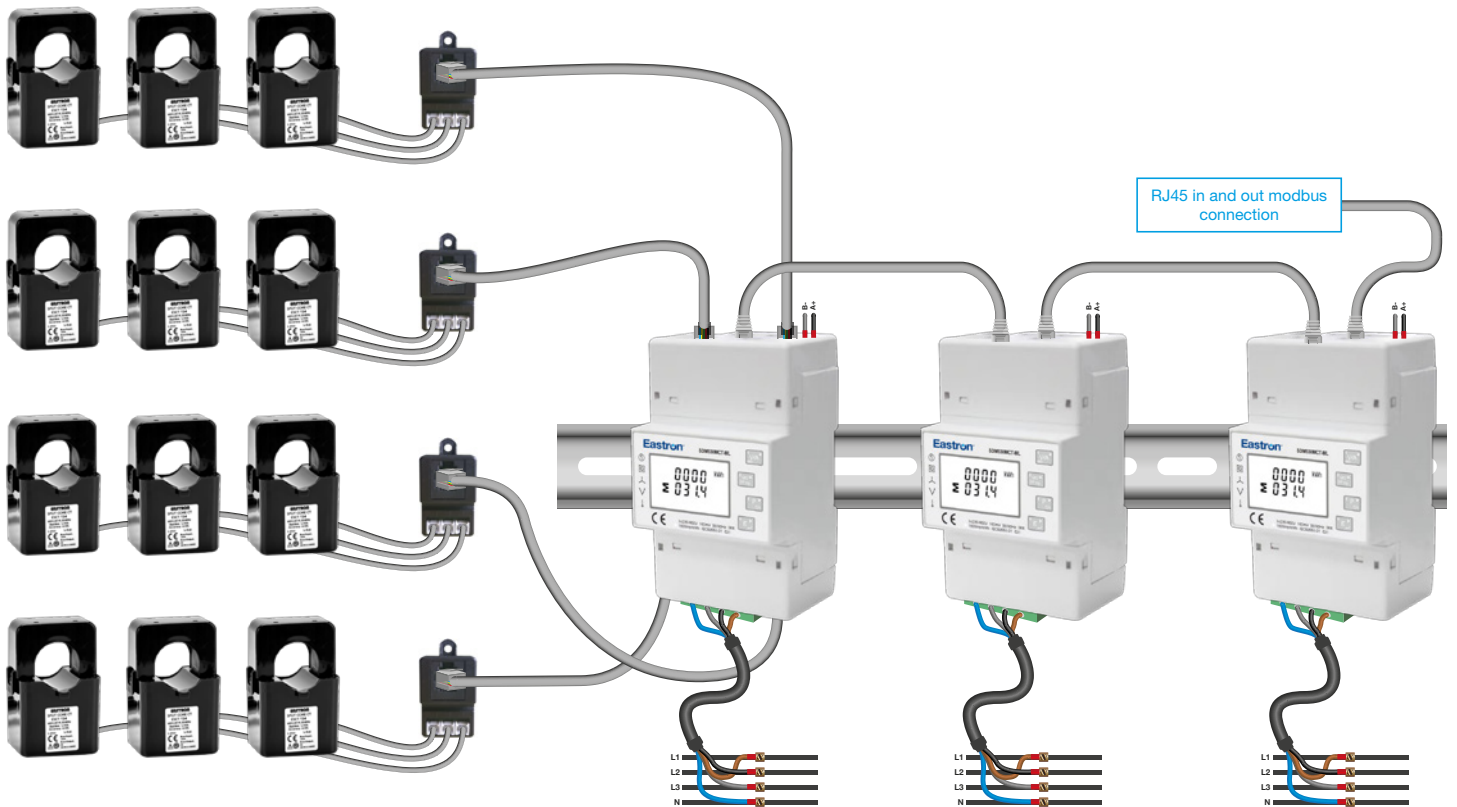
For more information on these products, please contact our sales team on 0203 758 3494 or email sales@eastroneurope.com

www.eastroneurope.com

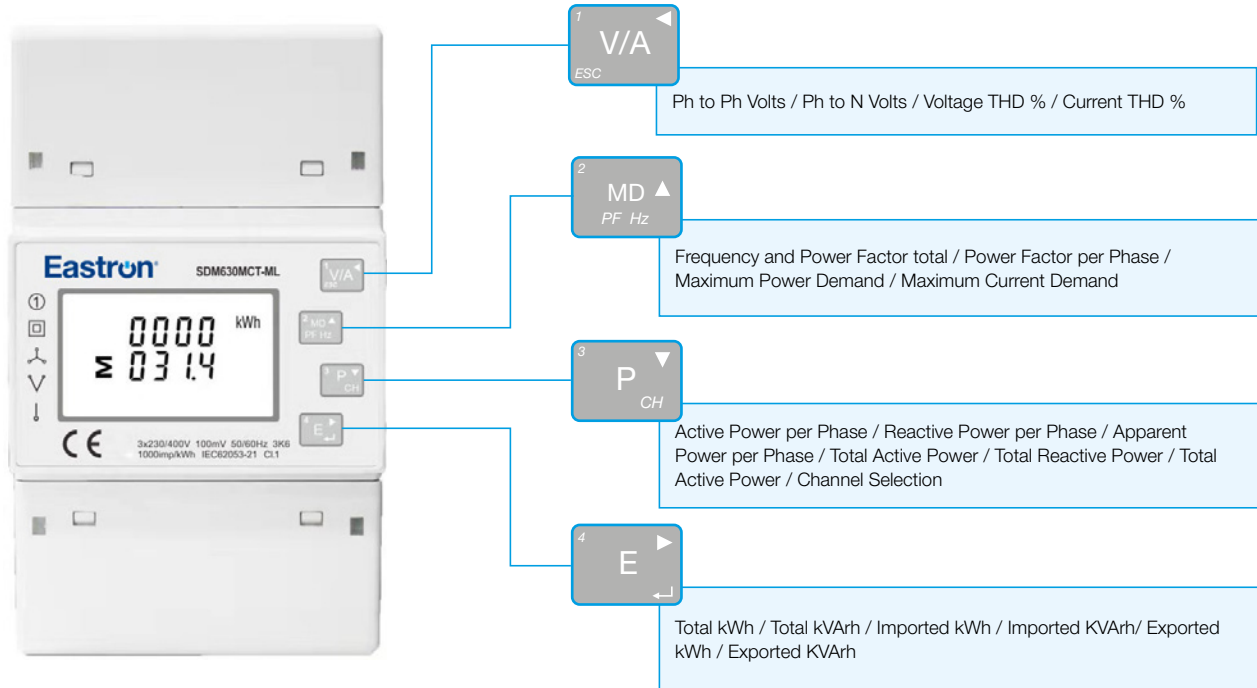


Example of 1 phase installation

Up to 12 one phase current transforms
on one meter (SDM630MCT-4L)



Features



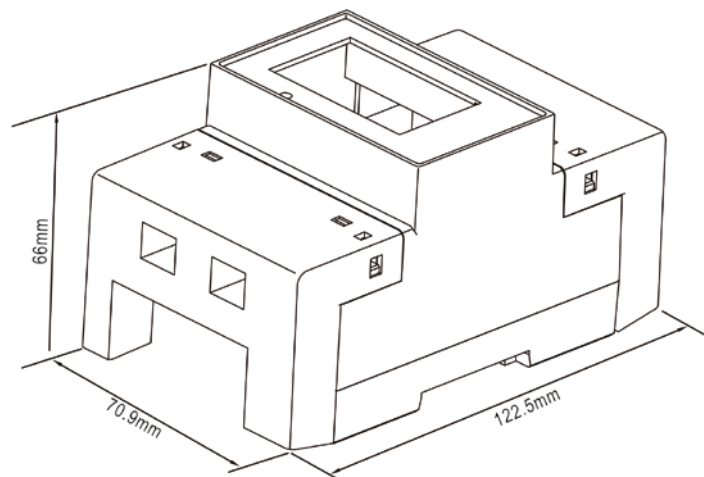
Conformity references:

Electromagnetic Compatibility: IEC/EN61326-1, IEC/EN55011 Class A, IEC/EN61000-4-2, -3-4-5-6-8-11 IEC/EN50470-1/3

Accuracy: IEC/EN50470-1/3, IEC/EN62053-21, IEC/EN62053-23, DIRECTIVE 2014/32/EU

Safety: IEC/EN61010, IEC/EN50470-1

Dimension drawing



For more information on these products, please contact our sales team on 0203 758 3494 or email sales@eastroneurope.com

www.eastroneurope.com

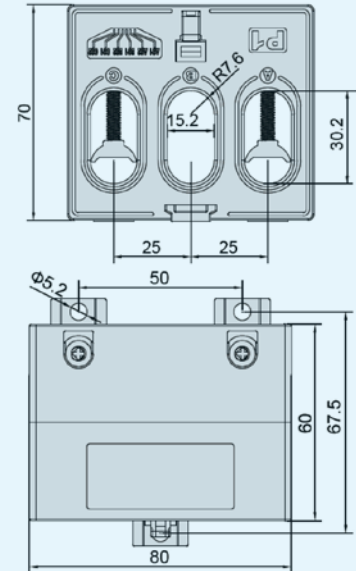


RJ325



- Class 0.5 Accuracy
- 100mA Secondary
- RJ12 Connector Output
- 25mm Centres
- 60-200A Primary current options
- Tamper proof clip for RJ12 connection

Model	Rated Amp	Output	Burden	
			Class 0.5	Class 1.0
ESCT-RJ325	60A	100mA	0.25	1
ESCT-RJ325	100A	100mA	0.25	1
ESCT-RJ325	120A	100mA	0.25	1.5
ESCT-RJ325	125A	100mA	0.25	1.5
ESCT-RJ325	150A	100mA	0.25	2.5
ESCT-RJ325	160A	100mA	0.25	2.5
ESCT-RJ325	200A	100mA	0.25	2.5

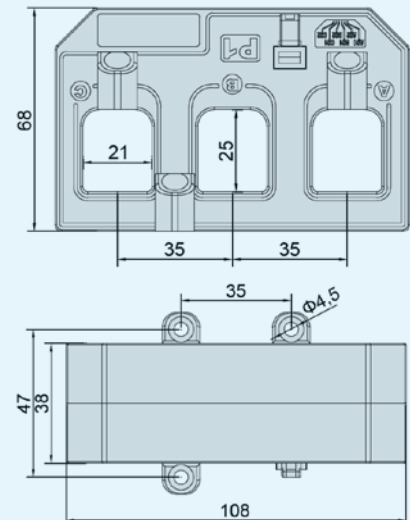


RJ335

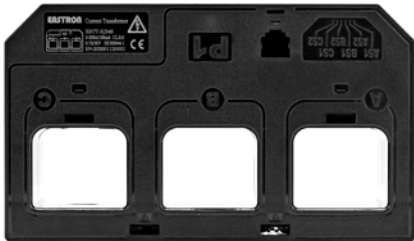


- Class 0.5 Accuracy
- 100mA Secondary
- RJ12 Connector Output
- 35mm Centres
- 60-250A Primary current options
- Tamper proof clip for RJ12 connection

Model	Rated Amp	Output	Burden	
			Class 0.5	Class 1.0
ESCT-RJ335	63A	100mA	0.25	0.25
ESCT-RJ335	125A	100mA	0.25	0.5
ESCT-RJ335	150A	100mA	0.25	0.5
ESCT-RJ335	200A	100mA	0.25	0.5
ESCT-RJ335	250A	100mA	0.25	0.5

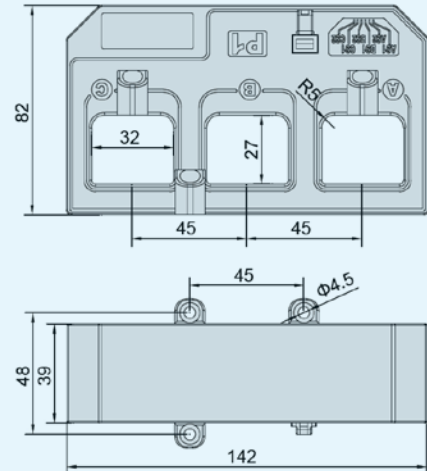


RJ345



- Class 0.5 Accuracy
- 100mA Secondary
- RJ12 Connector Output
- 45mm Centres
- 250-630A Primary current options
- Tamper proof clip for RJ12 connection

Model	Rated Amp	Output	Burden	
			Class 0.5	Class 1.0
ESCT-RJ345	250A	100mA	0.25	0.5
ESCT-RJ345	300A	100mA	0.25	0.5
ESCT-RJ345	400A	100mA	0.25	0.5
ESCT-RJ345	500A	100mA	0.25	0.5
ESCT-RJ345	600A	100mA	0.25	0.5
ESCT-RJ345	630A	100mA	0.25	0.5

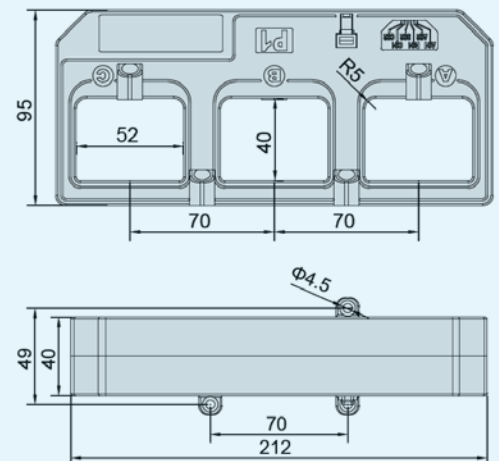


RJ370



- Class 0.5 Accuracy
- 100mA Secondary
- RJ12 Connector Output
- 70mm Centres
- 600-1600A Primary current options
- Tamper proof clip for RJ12 connection

Model	Rated Amp	Output	Burden	
			Class 0.5	Class 1.0
ESCT-RJ370	600A	100mA	0.25	3.75
ESCT-RJ370	630A	100mA	0.25	3.75
ESCT-RJ370	800A	100mA	0.25	5
ESCT-RJ370	1000A	100mA	0.25	5
ESCT-RJ370	1200A	100mA	0.25	7.5
ESCT-RJ370	1600A	100mA	0.25	7.5



X96-C2

Voltage Input Cable. 4*1mm² cables, one end with male terminal.



0.3 Metre
0.5 Metre
1.0 Metre
1.5 Metre
2.0 Metre

X96-C3

Cable between meter voltage output to the voltage input of next meter. 4*1mm² cables, one end with male terminal and another end with female terminal.



0.3 Metre
0.5 Metre
1.0 Metre
1.5 Metre
2.0 Metre

RJ12CABLE-*CW

Grey / White RJ12 cable from meter to CT (SET-UP 1).



1.0 Metre	6.0 Metre
2.0 Metre	7.0 Metre
3.0 Metre	8.0 Metre
4.0 Metre	9.0 Metre
5.0 Metre	10.0 Metre

RJ12CABLE-*CB

Black Reversed RJ12 cable from meter to CT (SET-UP 2).



1.0 Metre	6.0 Metre
2.0 Metre	7.0 Metre
3.0 Metre	8.0 Metre
4.0 Metre	9.0 Metre
5.0 Metre	10.0 Metre*



A large, light blue graphic of the Eastron logo, consisting of a central vertical rectangle and two curved side elements, is positioned behind the main text.

Eastron[®]
EUROPE

Innovation, Quality and Competitive edge