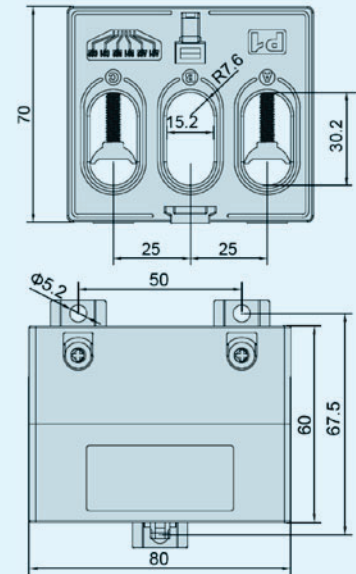


RJ325

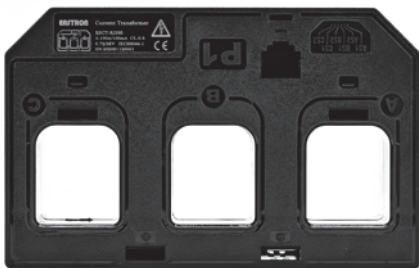


- Class 0.5 Accuracy
- 100mA Secondary
- RJ12 Connector Output
- 25mm Centres
- 60-200A Primary current options
- Tamper proof clip for RJ12 connection

| Model | Rated Amp | Output | Burden | |
|------------|-----------|--------|-----------|-----------|
| | | | Class 0.5 | Class 1.0 |
| ESCT-RJ325 | 60A | 100mA | 0.25 | 1 |
| ESCT-RJ325 | 100A | 100mA | 0.25 | 1 |
| ESCT-RJ325 | 120A | 100mA | 0.25 | 1.5 |
| ESCT-RJ325 | 125A | 100mA | 0.25 | 1.5 |
| ESCT-RJ325 | 150A | 100mA | 0.25 | 2.5 |
| ESCT-RJ325 | 160A | 100mA | 0.25 | 2.5 |
| ESCT-RJ325 | 200A | 100mA | 0.25 | 2.5 |

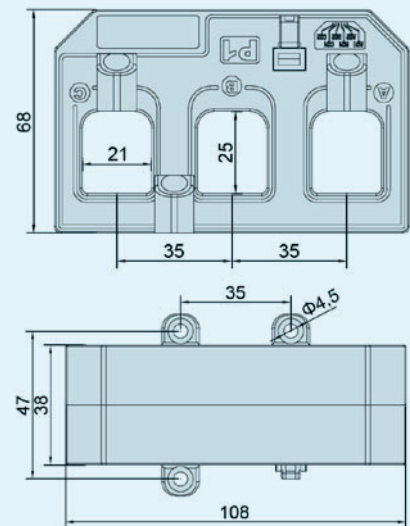


RJ335



- Class 0.5 Accuracy
- 100mA Secondary
- RJ12 Connector Output
- 35mm Centres
- 60-250A Primary current options
- Tamper proof clip for RJ12 connection

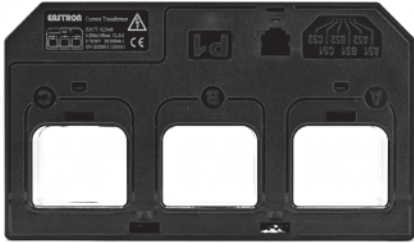
| Model | Rated Amp | Output | Burden | |
|------------|-----------|--------|-----------|-----------|
| | | | Class 0.5 | Class 1.0 |
| ESCT-RJ335 | 63A | 100mA | 0.25 | 0.25 |
| ESCT-RJ335 | 125A | 100mA | 0.25 | 0.5 |
| ESCT-RJ335 | 150A | 100mA | 0.25 | 0.5 |
| ESCT-RJ335 | 200A | 100mA | 0.25 | 0.5 |
| ESCT-RJ335 | 250A | 100mA | 0.25 | 0.5 |



For more information on these products, please contact our sales team on 0203 758 3494 or email sales@eastroneurope.com

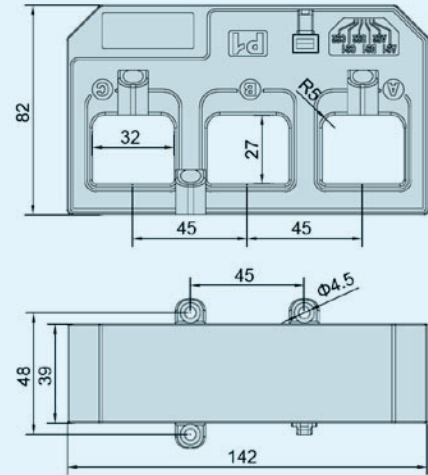
www.eastroneurope.com

RJ345



- Class 0.5 Accuracy
- 100mA Secondary
- RJ12 Connector Output
- 45mm Centres
- 250-630A Primary current options
- Tamper proof clip for RJ12 connection

| Model | Rated Amp | Output | Burden | |
|------------|-----------|--------|-----------|-----------|
| | | | Class 0.5 | Class 1.0 |
| ESCT-RJ345 | 250A | 100mA | 0.25 | 0.5 |
| ESCT-RJ345 | 300A | 100mA | 0.25 | 0.5 |
| ESCT-RJ345 | 400A | 100mA | 0.25 | 0.5 |
| ESCT-RJ345 | 500A | 100mA | 0.25 | 0.5 |
| ESCT-RJ345 | 600A | 100mA | 0.25 | 0.5 |
| ESCT-RJ345 | 630A | 100mA | 0.25 | 0.5 |

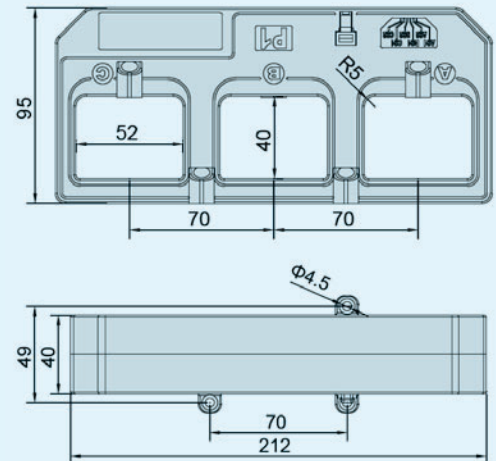


RJ370



- Class 0.5 Accuracy
- 100mA Secondary
- RJ12 Connector Output
- 70mm Centres
- 600-1600A Primary current options
- Tamper proof clip for RJ12 connection

| Model | Rated Amp | Output | Burden | |
|------------|-----------|--------|-----------|-----------|
| | | | Class 0.5 | Class 1.0 |
| ESCT-RJ370 | 600A | 100mA | 0.25 | 3.75 |
| ESCT-RJ370 | 630A | 100mA | 0.25 | 3.75 |
| ESCT-RJ370 | 800A | 100mA | 0.25 | 5 |
| ESCT-RJ370 | 1000A | 100mA | 0.25 | 5 |
| ESCT-RJ370 | 1200A | 100mA | 0.25 | 7.5 |
| ESCT-RJ370 | 1600A | 100mA | 0.25 | 7.5 |



For more information on these products, please contact our sales team on 0203 758 3494 or email sales@eastroneurope.com

www.eastroneurope.com